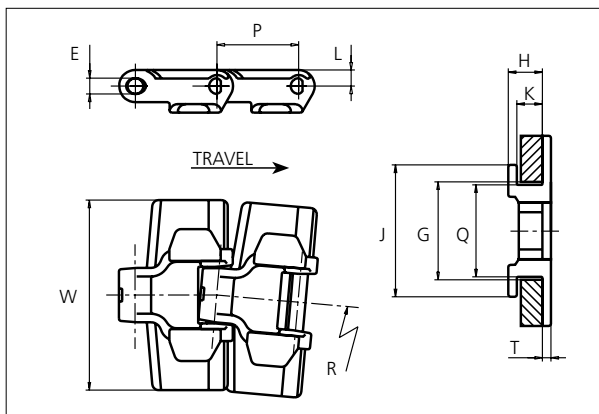


## Slat Top Plastic Chain

Series **uni 880** Type **Tab R**



**Slat Top Plastic Chain**  
 Side flexing chain  
 Pitch: 38.1 mm (1.50 in)  
 Backflex radius: 75.0 mm (3.00 in)  
 Permissible tensile strength:  
 POM material: 2250 N (506 lbf)  
  
 Delivery: 3.048 m (10 ft)  
 No. of links/box: 80

STANDARD

E		G		H		J		K		L		P		Q		T	
mm	in	mm	in	mm	in	mm	in	mm	in	mm	in	mm	in	mm	in	mm	in
7.1	0.28	44.5	1.75	15.9	0.63	61.5	2.42	11.9	0.47	7.5	0.30	38.1	1.50	43.1	1.70	4.0	0.16

All dimensions are for chains in POM material.

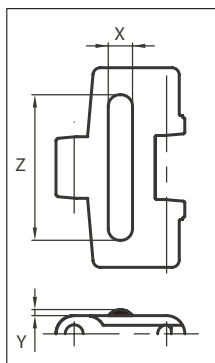
	Width (W)		Material & color	Pin material	Weight		Min. radius (R)	
	mm	in			kg/m	lb/ft	mm	in
<b>K200</b>	50.6	2.00	-	-	-	-	-	-
<b>K250</b>	63.5	2.50	POM-LF <b>BR</b>	<b>SS304</b>	0.8	0.54	200	7.87
<b>K325</b>	82.6	3.25	POM-LF <b>BR</b> POM-SLF <b>DG</b>	<b>SS304</b>	1.0	0.67	200	7.87
<b>K450</b>	114.3	4.50	POM-LF <b>BR</b>	<b>SS304</b>	1.1	0.75	200	7.87

Non standard material and color: See uni Material and Color Overview.  
 Non standard pin material: See uni Material and Color Overview.

SIDE FLEXING

### Accessories

#### Rubber Top



When ordering, please state the required distance between the Rubber Top.

Other Non Standard rubber profiles: See uni Rubber Profile Overview.

Width	Link material	Rubber material	Z		X		Y	
			mm	in	mm	in	mm	in
<b>K325</b>	POM-LF <b>BR</b>	05 <b>I</b>	60	2.36	10	0.39	2.5	0.10
<b>K450</b>	POM-LF <b>BR</b>	05 <b>I</b>	60	2.36	10	0.39	2.5	0.10

PITCH 38.1 MM/1.50 IN

Any questions? Please contact us.

### Sprocket

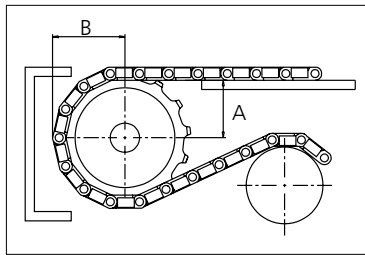
No of teeth	Pitch diameter		Overall-diameter		Min. ø bore		Max. ø bore		Hub-diameter		A-dimension		B-dimension		Molded PA66 LG	Molded Cast Iron	Machined PA66
	mm	in	mm	in	mm	in	mm	in	mm	in	mm	in	mm	in			
<b>Z9</b>	111.4	4.39	109.7	4.32	20.0	0.80	40.0	1.60	70.0	2.76	55.9	2.20	63.2	2.49	x	x	
<b>Z10</b>	123.3	4.85	122.3	4.81	20.0	0.80	40.0	1.60	70.0	2.76	62.2	2.45	69.2	2.72	x	x	
<b>Z11</b>	135.2	5.32	134.8	5.31	20.0	0.80	40.0	1.60	70.0	2.76	68.4	2.69	75.1	2.96	x	x	
<b>Z12</b>	147.2	5.80	147.2	5.80	20.0	0.80	40.0	1.60	70.0	2.76	74.6	2.94	81.1	3.19	x	x	
<b>Z15</b>	183.3	7.22	184.3	7.26	20.0	0.80	40.0	1.60	70.0	2.76	93.2	3.67	99.2	3.91	x	x	

### Two part sprocket

No of teeth	Pitch diameter		Overall-diameter		Min. ø bore		Max. ø bore		Hub-diameter		A-dimension		B-dimension		Molded PA66 LG	Molded Cast Iron	Machined PA66
	mm	in	mm	in	mm	in	mm	in	mm	in	mm	in	mm	in			
<b>Z9</b>	111.4	4.39	109.7	4.32	20.0	0.80	40.0	1.60	70.0	2.76	55.9	2.20	63.2	2.49	x		
<b>Z10</b>	123.3	4.85	122.3	4.81	20.0	0.80	40.0	1.60	70.0	2.76	62.2	2.45	69.2	2.72	x		
<b>Z11</b>	135.2	5.32	134.8	5.31	20.0	0.80	40.0	1.60	70.0	2.76	68.4	2.69	75.1	2.96	x		
<b>Z12</b>	147.2	5.80	147.2	5.80	20.0	0.80	40.0	1.60	70.0	2.76	74.6	2.94	81.1	3.19	x		

Non standard material and color:  
See uni Material and Color Overview.

### Molded sprocket      Cast iron sprocket      Molded two part sprocket



Please ensure that sufficient size shaft and keyway are chosen for corresponding load.

Other sprocket sizes are available upon request  
Width of tooth: 15.8 mm/0.62 in  
Width of sprocket: 42.3 mm/1.67 in  
uni Retainer Rings: See uni Retainer Ring data sheet  
uni Idler: See uni Idler data sheet

Any questions? Please contact us.